

4

3

2

1

THIS DRAWING IS UNPUBLISHED.

RELEASED FOR PUBLICATION

20

© COPYRIGHT 20

BY TYCO ELECTRONICS CORPORATION. ALL RIGHTS RESERVED.

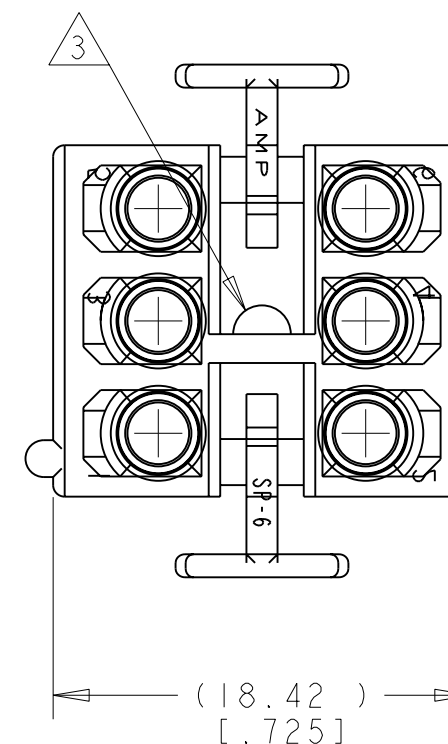
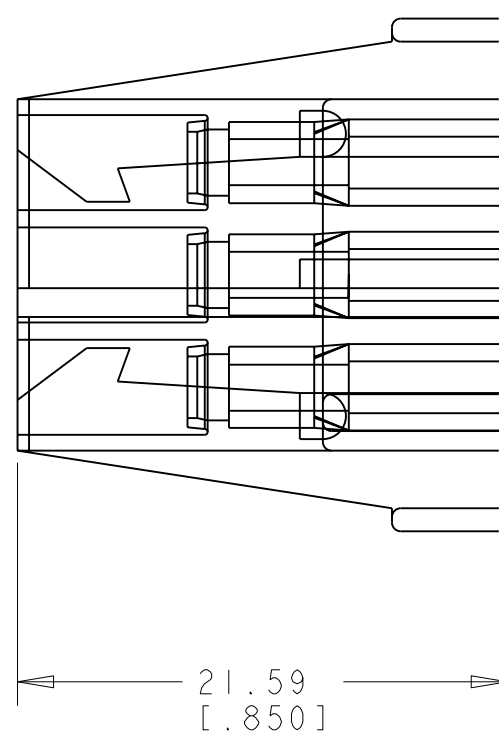
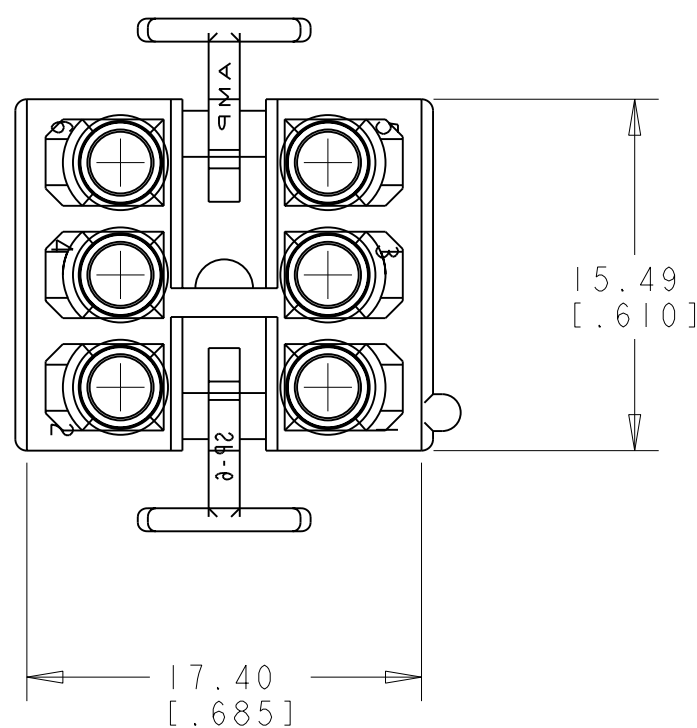
LOC
CM

DIST
00

REVISIONS

P	LTR	DESCRIPTION	DATE	DWN	APVD
	W	REVISED PER 0G3B-0827-03	04NOV2003	KW	DC
	Y	REVISED PER 0G3B-0874-03	04NOV2003	KW	DC
	YI	REVISED PER ECO-05-001056	14APR05	KW	DC

1. TO BE USED WITH APPROPRIATE COMMERCIAL MATE-N-LOK™ SOCKETS.
2. TO BE USED WITH CAP HOUSING 480271.
- △ 3. OPTIONAL CONSTRUCTION.



NYLON, BLACK	1-480270-9
NYLON, NATURAL	1-480270-0
MATERIAL AND COLOR	PART NUMBER

METRIC

THIS DRAWING IS A CONTROLLED DOCUMENT FOR TYCO ELECTRONICS CORPORATION. IT IS SUBJECT TO CHANGE AND THE CONTROLLING ENGINEERING ORGANIZATION SHOULD BE CONTACTED FOR THE LATEST REVISION.

DIMENSIONS:	TOLERANCES UNLESS OTHERWISE SPECIFIED:
mm [INCHES]	
0 PLC	±-
1 PLC	±-
2 PLC	±0.13 [.005]
3 PLC	±-
4 PLC	±-
ANGLES	±0° 30'
MATERIAL	SEE TABLE
FINISH	-

DWN	K. WHITAKER	04NOV2003
CHK	D. COLEY	04NOV2003
APVD	D. COLEY	04NOV2003
PRODUCT SPEC	-	
APPLICATION SPEC	-	
WEIGHT	-	
CUSTOMER DRAWING		

tyco Electronics		Tyco Electronics Harrisburg, PA 17105-3608	
NAME 6 CIRCUIT MATE-N-LOK™ PLUG			
SIZE	CAGE CODE	DRAWING NO	RESTRICTED TO
A3	00779	©-480270	-
SCALE 3:1		SHEET 1	OF 1
		REV	YI